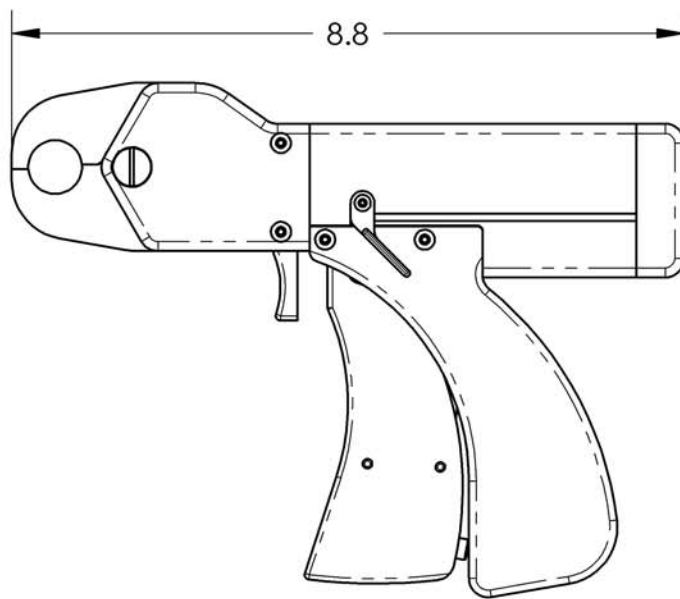
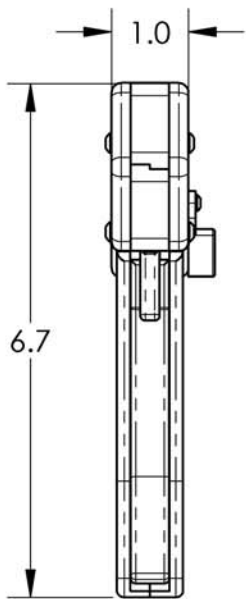
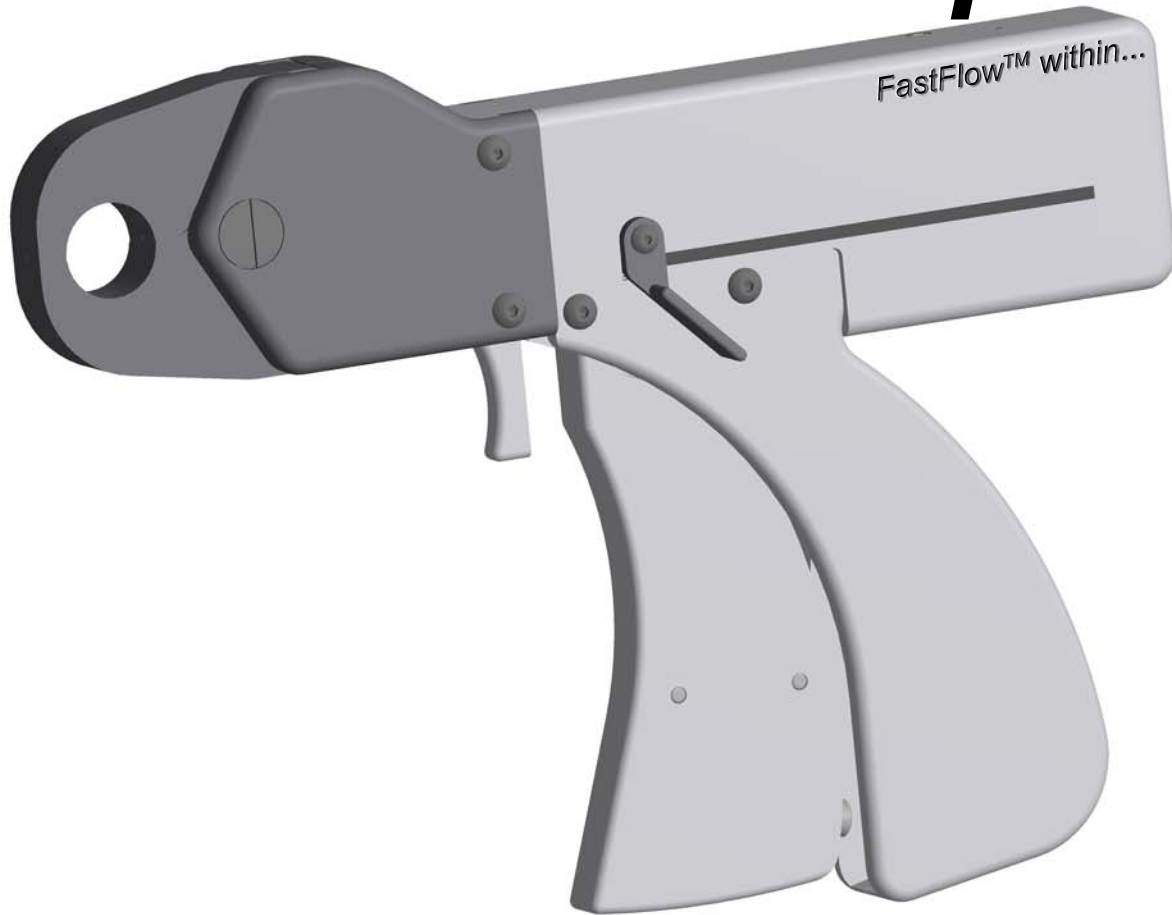


1/2" PEX Crimper



Specifications

- Height:** 6.7"
- Width:** 1.0"
- Length:** 8.8"
- Weight:** 3 lbs. with jaw set.
- Force Ratio:** ~80:1

Property: LatchTool Group, LLC
14760 Cherry Hills Place
Colorado Springs, CO 80921
719.488.8800